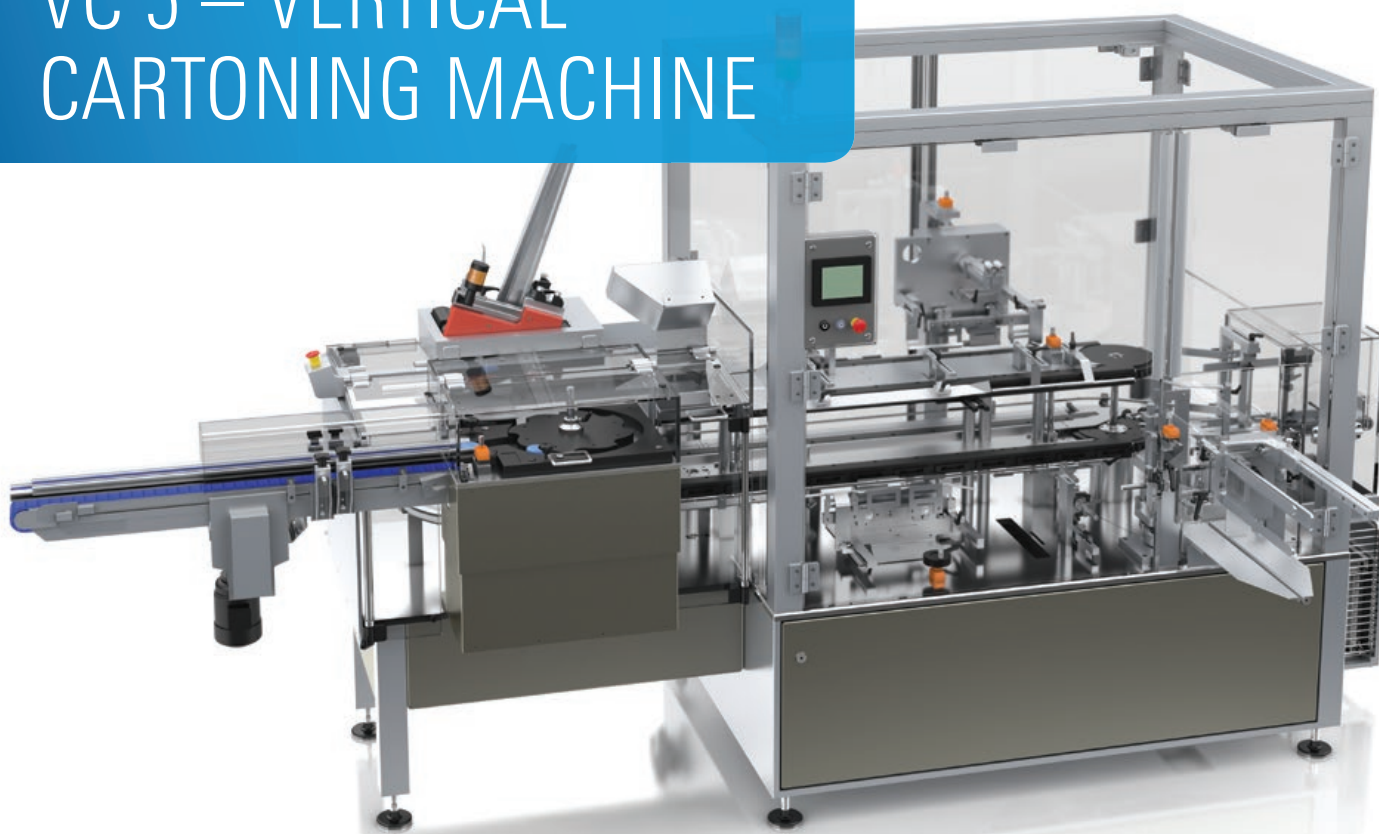
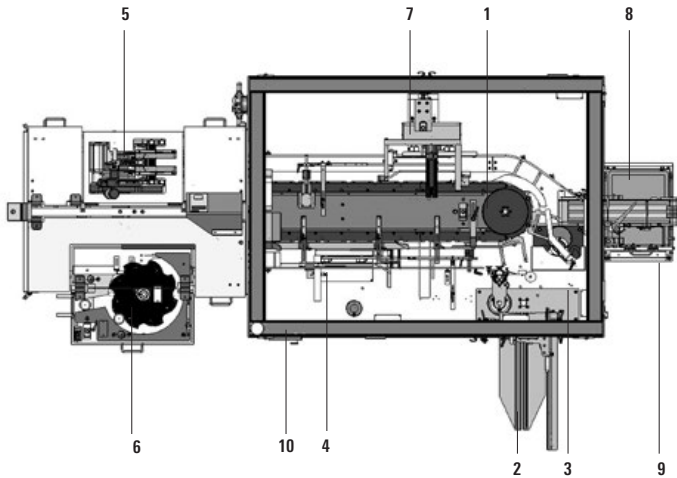


The highly productive
ergonomic cartoner at affordable price

VC 5 – VERTICAL CARTONING MACHINE

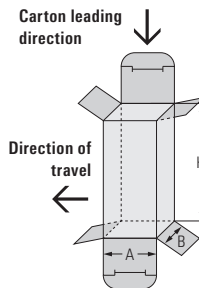
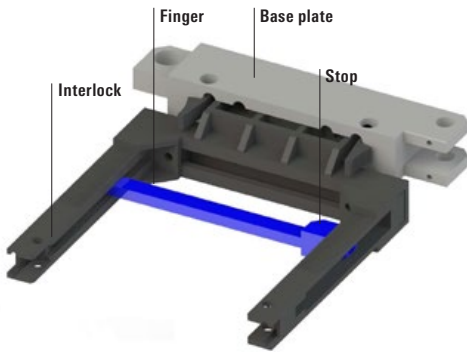


- 120 cartons/min.
- Working principle: continuous, vertical
- Open and accessible work area
- Modular extendable machine length for optimal footprint
- Easy to clean
- Touch screen operating panel (HMI)
- Completely servo driven
- Semi-automatic packing for e.g. bottles, tubes, blister, jars, pouches, bags etc.



Concept

1. Transport System
2. Carton magazine
3. Carton erection system
4. Carton closing (lower flap)
5. Leaflet feeding unit (option)
6. Automatic product loading (option)
7. Carton closing (upper flap)
8. Bad carton discharge (option)
9. Good carton discharge
10. Touch screen operating panel (HMI)

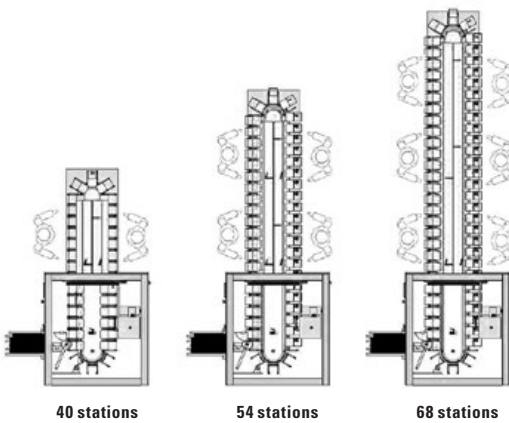


Very Fast Format Change

- Easy, repeatable format change
- Rapid changeover function due to central height adjustment of transport system and quick exchangeable carton buckets via click system

Format Range

A 25 - 100 mm, B 20 - 90 mm, H 50 - 230 mm



Transport System

- Servo driven cam guided transport system with strong degree of positioning precision
- The basic machine consists of 40 carton carriers and a corresponding number of stations
- The machine can be equipped with additional extensions of the transport system.